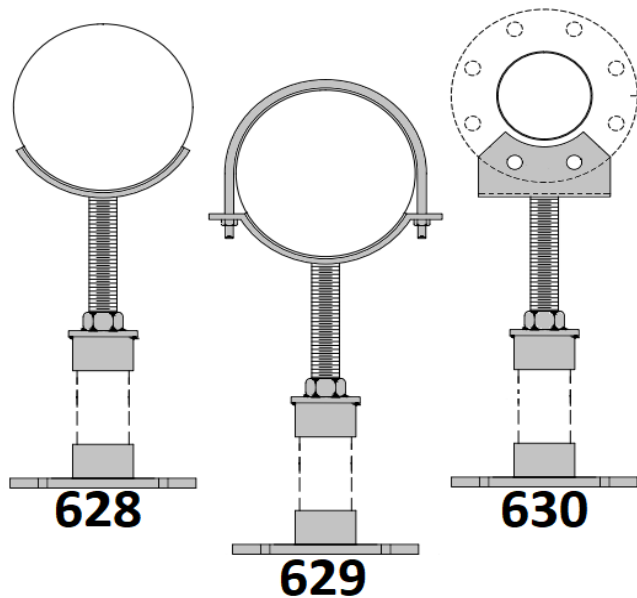


PIPE STANCHION KITS



Pipe Stanchion kits to be used for the support and adjustment of stationary piping from below. Tops and bases are supplied, extension pipe can be supplied when requested by the customer for quick field installation. Available in three versions, Saddle (Fig 628), Saddle with U-Bolts (Fig 629) and Flange Connection (Fig 630).

- Hot-Dipped Galvanized for corrosion resistance
- Installs with 2, 3 or 4" IPS piping
- Supplied with set screws
- Gusset included for 14" NPS and larger



PIPE SIZE	EXT. PIPE	BASE PLATE
3	2	1/4x6x6
4	2	1/4x6x6
5	2	1/4x6x6
6	2	1/4x6x6
8	2	1/4x6x6
10	2	1/4x6x6
12	2	1/4x6x6
14	3	1/2x8x8
16	3	1/2x8x8
18	4	1/2x8x8
20	4	1/2x8x8
24	4	1/2x8x8

Compliant with MSS SP-58

Location	Phone	Fax
New England States	781-935-2950	781-935-7664
Mid-Atlantic States	800-342-6437	609-298-1534
Mid-Western States	724-379-8461	724-379-8463
Southern States	504-431-7722	504-431-7900
Western States	323-622-1830	323-622-1837

www.pipehangers.com

CARPENTER & PATERSON, INC.

DESIGNERS • ENGINEERS • MANUFACTURERS